



790 West Rockwell Avenue
 Fort Atkinson, WI 53538
 Phone: 920-563-1400
 Fax: 920-563-9721

Product Bulletin

Bulletin#
 PB07-04

Issue Date
 May 2007

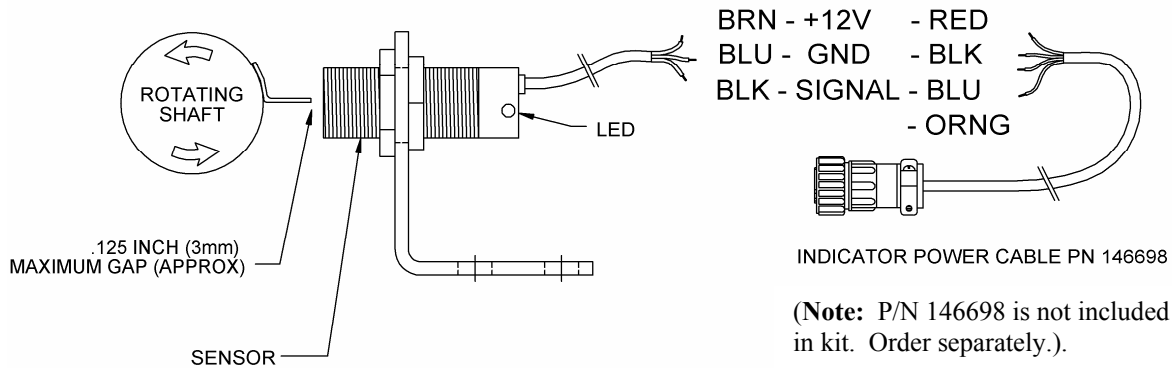
Product: Rotational Counter Sensor Option

Subject: Installation instructions for Rotational Counter

Thank you for purchasing the Digi-Star Rotational Counter Option. The rotational counter allows the EZ2 Indicator line to count the number of revolutions of a mixer shaft and notifies the operator when a set count is reached. P/N 403013 Pack-Rotational Counter consists of an rpm sensor, sensor bracket and sensor steel target and a cable tie. The steel target can be mounted on any rotating mixer shaft but typically the sensor is mounted near the front of the machine in one of three locations (see page 2-3).

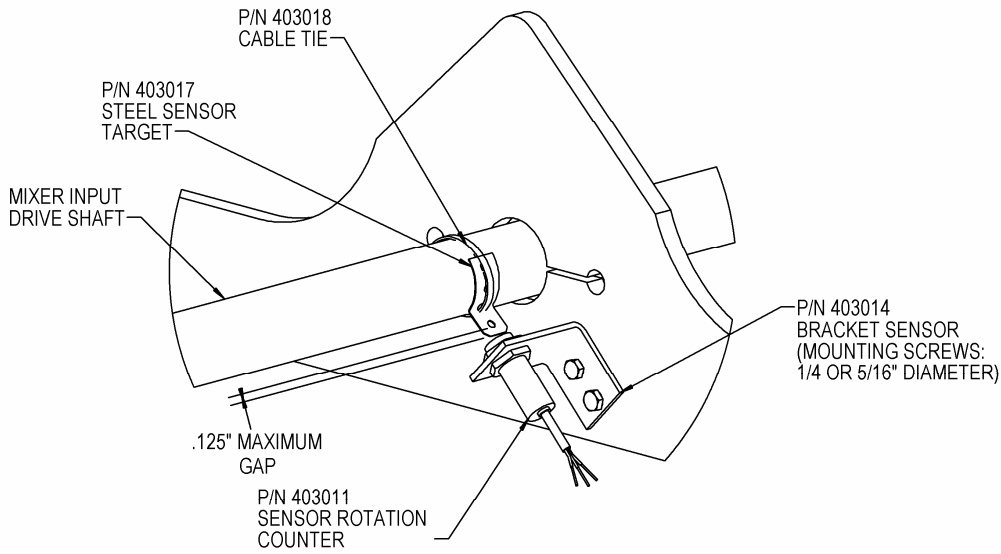
Installations:

1. Apply RTV sealant or suitable adhesive on shaft under target.
2. Attached target securely to shaft using cable tie. (see installation #1)
3. Attached sensor bracket to mixer. (See installations 1-3).
4. Mount sensor so it is about 1/8" from target.
5. Connect sensor lead to power cable as shown.
6. With power applied, LED on sensor will turn on when it senses the metal target.
7. If sensor LED is constantly "on" move sensor away from shaft.

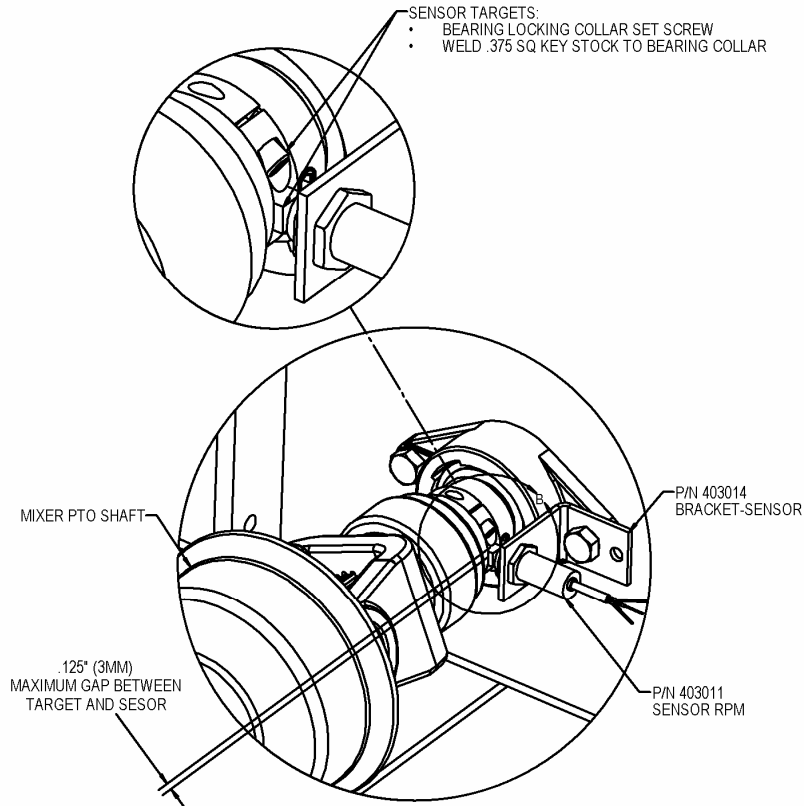


Rpm Sensor Wiring Schematic

Important: The installation diagrams show safety shields removed in order to show additional details. Never operate equipment without safety shields in place. Adding the target to a rotating shaft may require additional shielding and is not provided. Consult your original equipment manufacturer.



INSTALLATION #1 - MIXER INPUT DRIVE SHAFT



INSTALLATION #2: MIXER PTO INPUT SHAFT

SENSOR TARGET
(KEY-.25 SQUARE
X 2" LENGTH)

SENSOR ROTATION
COUNTER

INSTALLATION #3: MIXER FRONT BEARING SUPPORT