



790 West Rockwell Avenue
 Fort Atkinson, WI 53538
 Phone: 920-563-1400 Fax:
 920-563-9721

Product Bulletin

PB07-01
 Bulletin#

Jan. 2007
 Issue Date

Product: Indicators

Subject: Release new field installed RAM mounting kits.

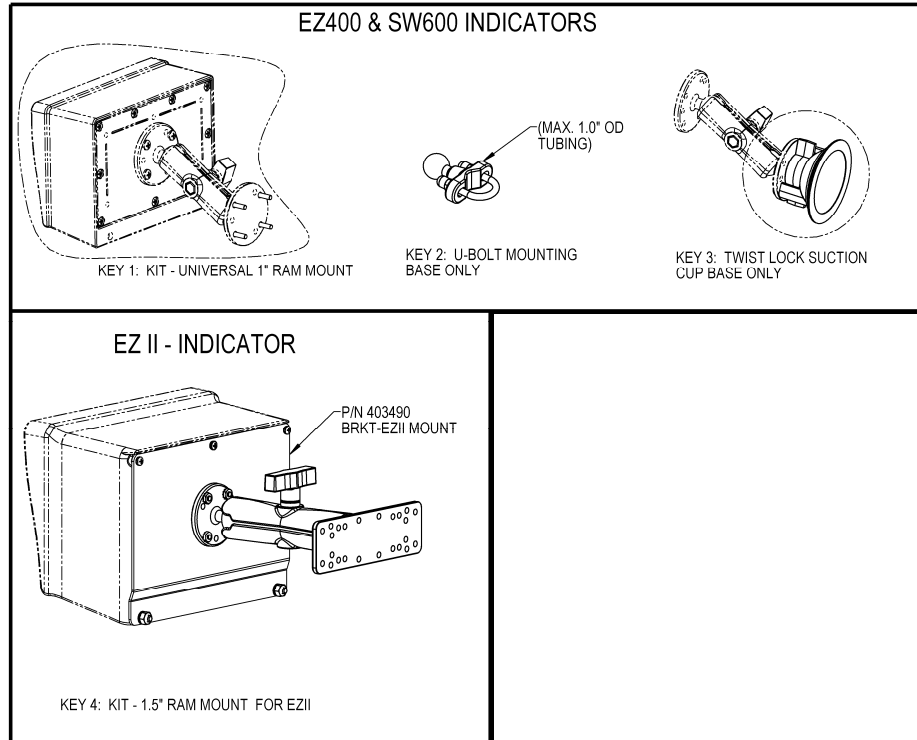
Description of Change: Three kits are available for field installing 1.0" or 1.5" RAM mount kits for RD400 & SW600 & EZII & EZIII indicators. The kits are listed in the table below. The following kits will no longer be available.

Obsolete P/N

P/N 404364 Kit-1.0 Ram Mount w/screws
 P/N 403310 Kit-1.0 Ram Mount w/tape
 P/N 403895 Kit-1.0 Ram Mount w/screws

New P/N

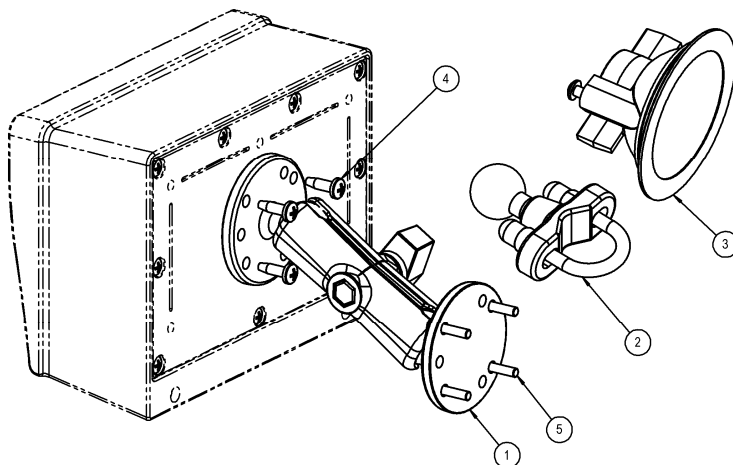
Order P/N 404797
 Order P/N 404797
 Order P/N 404797



KEY	PART NO	DESCRIPTION
1	404797	Kit- 1.0" diameter ram mount includes: 1.0" ram mount assemble, 5/16 nylon cable clamps, rubber grommet, and mounting cable hardware
2	403179	U-Bolt mounting base only. Fits 1.0" diameter ram mount.
3	404230	Twist-lock suction cup base only. Fits 1.0" diameter ram mount.
4	403315	Kit-1.5" diameter ram mount for EZII includes: 1.5" ram mount assemble, metal EZII ram mounting bracket (P/N 403490) and required mounting hardware.

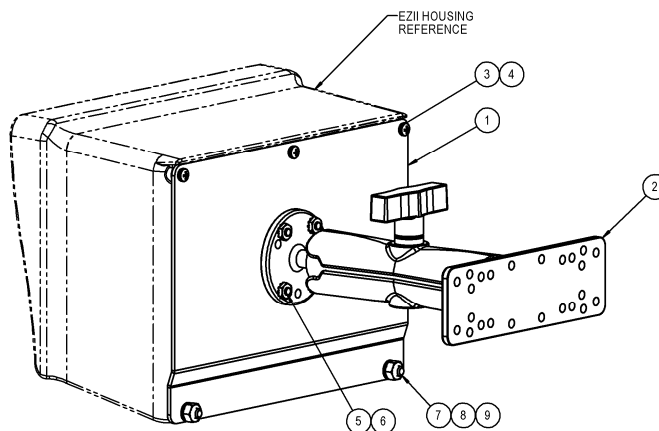
Repair Parts

1.0" Diameter RAM Mount (for EZ400 & SW600 Indicators)



Key	Qty	P/N	Description
1	1	403180	RAM MOUNT ASSEMBLE WITH 2 FLANGE
2	1	403179	U-BOLT MOUNTING BASE – (MAX. 1.0 OD TUBING)
3	1	404230	TWIST LOCK SUCTION BASE
4	4	403779	SCR-#10 X 5/8 PHSTS 48-2 BLK ZP
5	4	403174	SCR-#10 X ¾ SELF DRILLING ZP

1.5" Diameter RAM Mount for EZII Indicators



Key	Qty	P/N	Description
1	1	403490	BRACKET-EZII RAM MTG (FOR EZII INDICATOR)
2	1	403314	1.5" RAM MOUNT ASSEMBLE
3	3	403502	SCR-#8-32 X 3/8 PHMS-PHL SS
4	3	403503	WASHER-#8 SPLIT LOCK SS
5	4	403495	SCR-#10-24 X ½ CRG ZP GR2
6	4	403501	NUT-#10-24 KEPS ZP
7	2	400036	SCR-1/4-20 X ¾ HHCS ZP
8	2	400035	NUT-1/4-20 ZP
9	2	400038	WASH-LOCK ¼ ZP