



790 West Rockwell Avenue  
Fort Atkinson, WI 53538  
Phone: 800-225-7695 • Fax: 920-563-9721

# Product Bulletin

Bulletin#  
PB08-03-19-D

Issue Date  
May 2008

## Product: RD4000 Remote Indicator



**Subject:** Release new RD4000 Large LED Remote Indicator with Progress Bar

### Features:

- Connects to any EZ indicator with a Remote Port (power cord not required)
- LEDs readable in all conditions and angles
- Rugged steel housing is NEMA4 / IP67 rated
- Mounts easily using the Digi-Star standard indicator mounting bracket PN 840459 or
- Mounts using four 3/8" (10mm) bolts
- Six 3.8" tall numbers or letters
- Alarm LEDs on both ends of display are visible from any angle
- Progress bar assists operator when loading ingredients
- Progress bar can be configured to increase or decrease when counting up or down
- Acrylic lens easily replaced if damaged

*Note: Progress bar functions on all EZ indicators with version 5.A software upgrade*

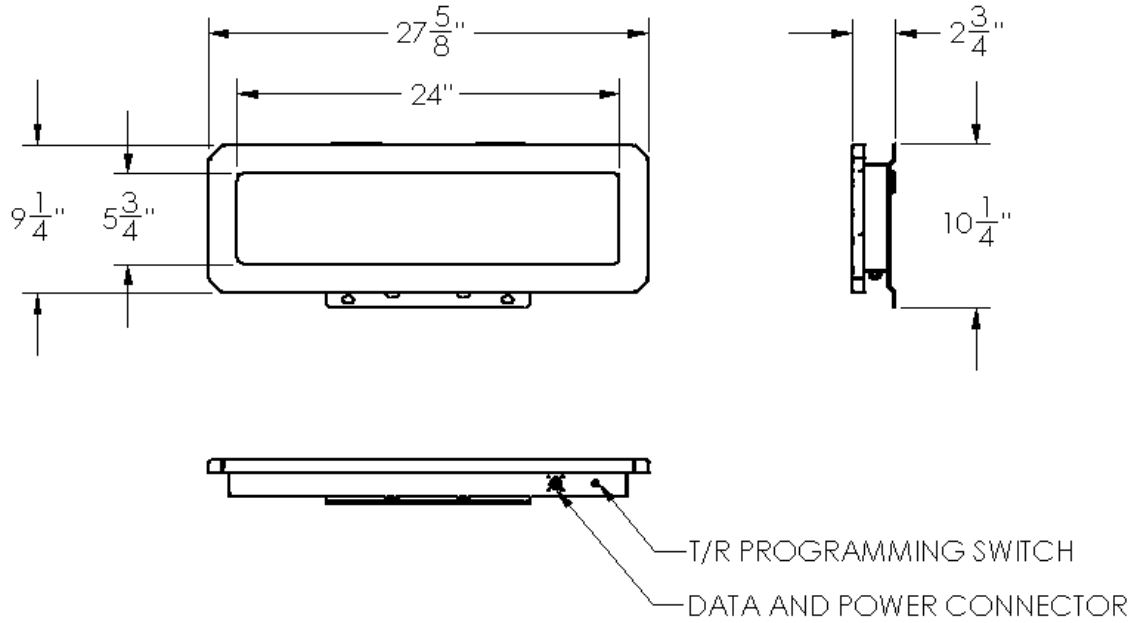
### RD4000 Part Numbers

KIT NO.	COMPONENTS PART NUMBERS	DESCRIPTION
405200	405144	<u>Kit</u> - RD4000 W/33' CABLE / VISOR
	405190	RD4000 LED REMOTE DISPLAY (Qty 1)
	405186	CABLE 33' RD4000 INTERFACE (QTY 1)
	405185	SCR #8 X 3/8 PHSTS SS TYPE B (Qty 4) VISOR-RD4000 WELDMENT SS (Qty 1)
405180	405185	<u>Kit</u> - RD4000 <u>w-T/R</u> - 33' Cable / Visor
	405186	VISOR-RD4000 WELDMENT SS (Qty 1)
	405190	SCR #8 X 3/8 PHSTS SS TYPE B (Qty 4)
	405199	CABLE 33' RD4000 INTERFACE (QTY 1) RD4000 LED Remote W-T/R 315 MHz (QTY 1)
405195	405185	<u>KIT</u> -STAINLESS STEEL VISOR / DIRT SHIELD W/ SCREWS FOR RD4000
	405186	VISOR-RD4000 WELDMENT SS (Qty 1) SCR #8 X 3/8 PHSTS SS TYPE B (Qty 4)

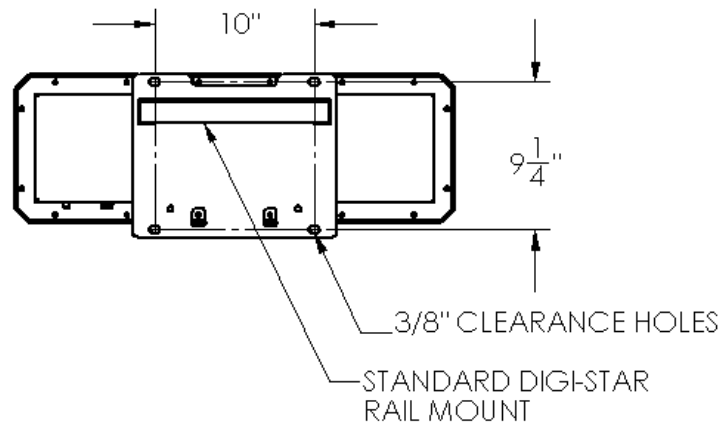
### Options

PART NUMBERS	DESCRIPTION
405144	RD4000 LED REMOTE DISPLAY
405190	CABLE 33' RD4000 INTERFACE
405191	CABLE - RD4000 CUSTOM LENGTH ____ FT.
405198	T/R OPTION for RD4000 315 MHz - <i>OEM Install</i>
405199	R4000 LED REMOTE DISPLAY W-T/R 315 MHz

### Housing Size



### Mounting Dimensions



**Call Digi-Star for more details!**  
**Phone: 800-225-7695 Or Visit Us On The WEB at [www.digi-star.com](http://www.digi-star.com).**